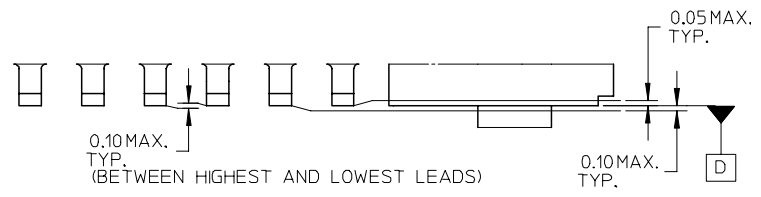
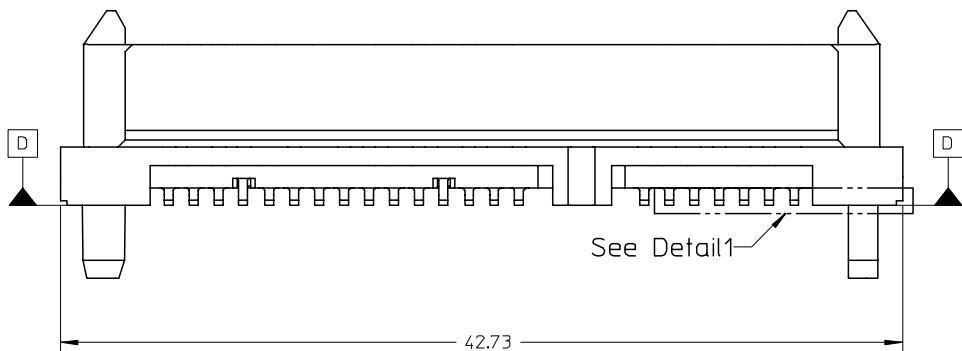




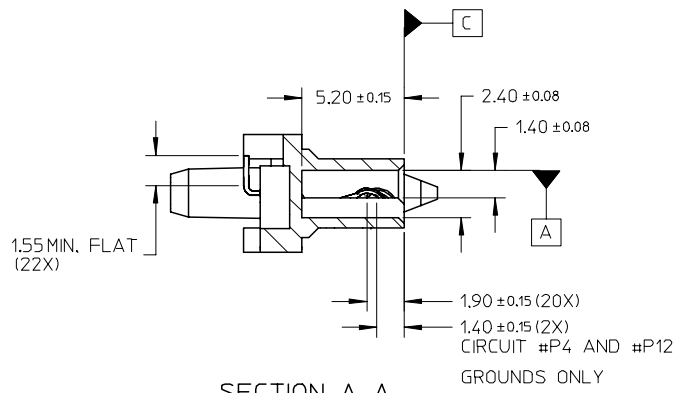
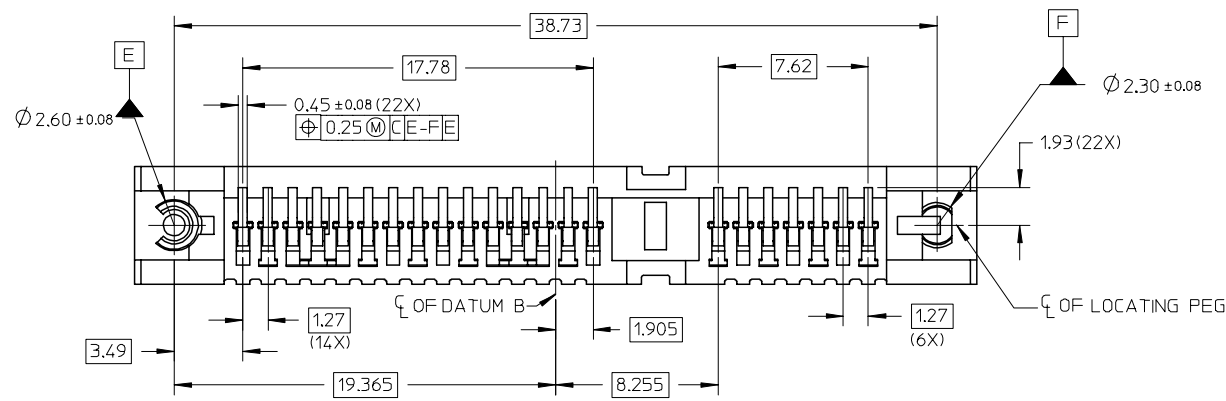
10 9 8 7 6 5 4 3 2 1

F  
E  
D  
C  
B  
A

F  
E  
D  
C  
B  
A



DETAIL 1



SECTION A-A

OBS TIN/LEAD P/N EC NO: S2006-0984 DRWN:MLONG 2006/04/04 CHKD:CGTAN 2006/04/04 APPR:KCLING 2006/04/04	QUALITY SYMBOLS ▽=0 ▽=0	GENERAL TOLERANCES (UNLESS SPECIFIED)		DIMENSION STYLE MM ONLY		SCALE NTS	DESIGN UNITS METRIC	THIRD ANGLE PROJECTION		
			mm	INCH	DRAWN BY DKOH	DATE 2002/07/05	TITLE SERIAL ATA BACKPLANE STD HEIGHT, RECEPT., SMT			
		4 PLACES	± ---	± ---	CHECKED BY KCLING	DATE 2002/07/05				
			± 0.20	± ---	APPROVED BY SKTOH	DATE 2002/07/05	MOLEX INCORPORATED			
3 PLACES	± ---	± ---	MATERIAL NO. 87713-1001	DOCUMENT NO. SD-87713-001	SHEET NO. 2 OF 4					
	± ---	± ---	DRAFT WHERE APPLICABLE MUST REMAIN WITHIN DIMENSIONS		THIS DRAWING CONTAINS INFORMATION THAT IS PROPRIETARY TO MOLEX INCORPORATED AND SHOULD NOT BE USED WITHOUT WRITTEN PERMISSION					

9 8 7 6 5 4 3 2 1

10 9 8 7 6 5 4 3 2 1

F F

E E

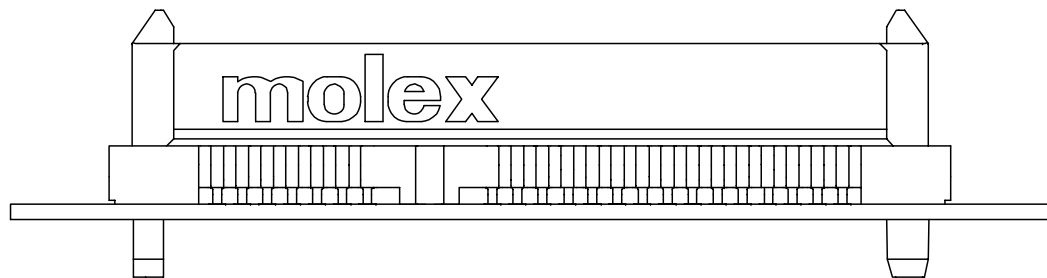
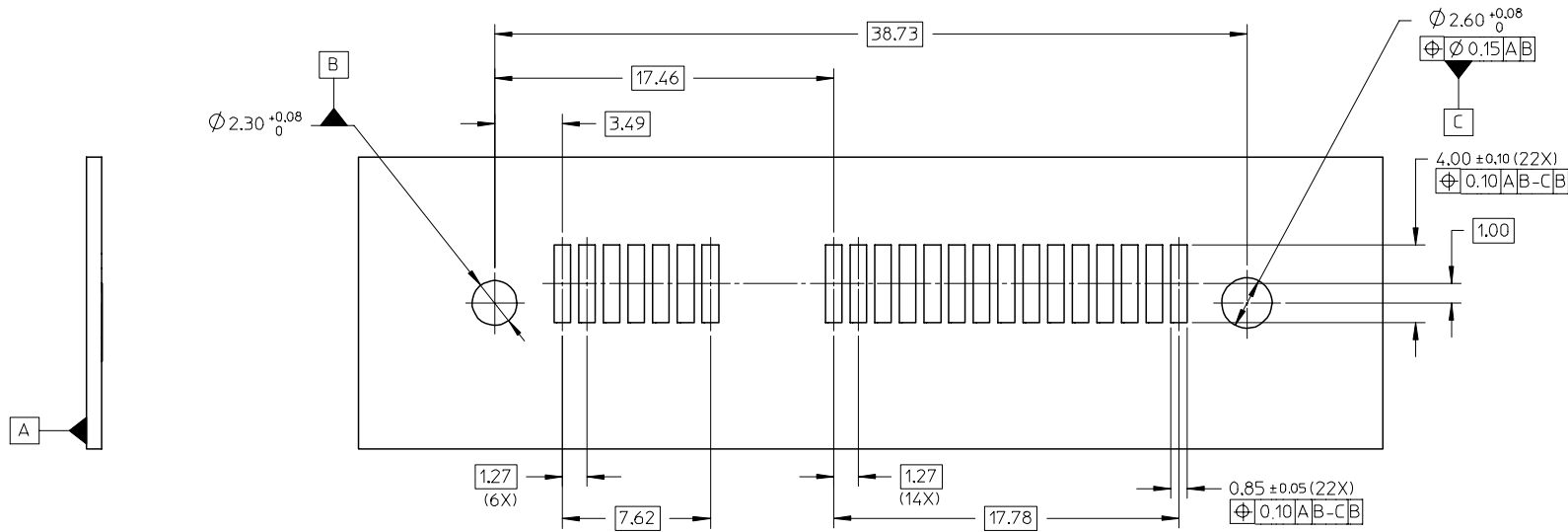
D D

C C

B B

A A

9 8 7 6 5 4 3 2 1



PCB THICKNESS: TBA mm  
RECOMMENDED PCB LAYOUT

OBS TIN/LEAD P/N EC NO: S2006-0984 DRWN:MLONG CHKD:CGTAN APPR:KCLING	2006/04/04 2006/04/04 2006/04/04 2006/04/04	DESCRIPTION REV	QUALITY SYMBOLS	GENERAL TOLERANCES (UNLESS SPECIFIED)	DIMENSION STYLE		SCALE	DESIGN UNITS	THIRD ANGLE PROJECTION
			▽=0 ∇=0		MM ONLY	NTS	METRIC		
					mm	INCH			
					4 PLACES ± ---	± ---	DRAWN BY DATE	TITLE	
	3 PLACES ± ---	± ---	DK0H 2002/07/05	SERIAL ATA BACKPLANE STD HEIGHT, RECEPT., SMT					
	2 PLACES ± 0.20	± ---	CHECKED BY DATE						
	1 PLACE ± ---	± ---	KCLING 2002/07/05						
			APPROVED BY DATE						
			SKT0H 2002/07/05						
			MATERIAL NO.	DOCUMENT NO.	SHEET NO.				
			87713-1001	SD-87713-001	3 OF 4				
			DRAFT WHERE APPLICABLE MUST REMAIN WITHIN DIMENSIONS						
			SIZE A3 THIS DRAWING CONTAINS INFORMATION THAT IS PROPRIETARY TO MOLEX INCORPORATED AND SHOULD NOT BE USED WITHOUT WRITTEN PERMISSION						

10 9 8 7 6 5 4 3 2 1

F

F

E

E

D

D

C

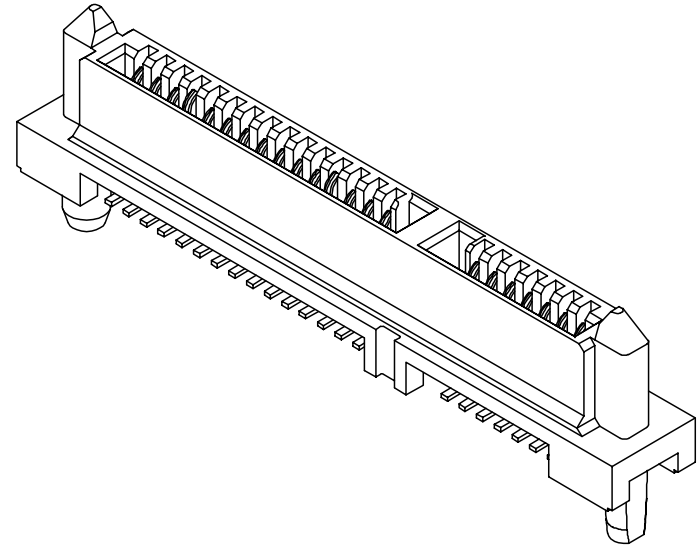
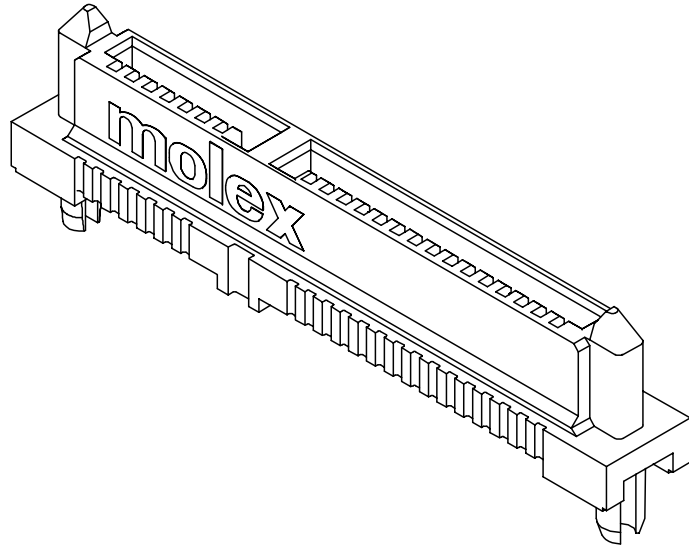
C

B

B

A

A



OBS TIN/LEAD P/N  
 EC NO: S2006-0984  
 2006/04/04  
 DRWN:MLONG  
 2006/04/04  
 CHKD:CGTAN  
 2006/04/04  
 APPR:KCLING  
 2006/04/04

QUALITY SYMBOLS  
 ▽=0  
 ▽=0

GENERAL TOLERANCES (UNLESS SPECIFIED)

	mm	INCH
4 PLACES	± ---	± ---
3 PLACES	± ---	± ---
2 PLACES	± 0.20	± ---
1 PLACE	± ---	± ---
ANGULAR ± 3 °		

DRAFT WHERE APPLICABLE  
 MUST REMAIN  
 WITHIN DIMENSIONS

DIMENSION STYLE  
 MM ONLY

DRAWN BY	DATE
DKOH	2002/07/05
CHECKED BY	DATE
KCLING	2002/07/05
APPROVED BY	DATE
SKTOH	2002/07/05

MATERIAL NO.  
 87713-1001

SCALE	DESIGN UNITS	THIRD ANGLE PROJECTION
NTS	METRIC	☉ □

TITLE  
 SERIAL ATA BACKPLANE  
 STD HEIGHT, RECEPT., SMT

MOLEX INCORPORATED

DOCUMENT NO.  
 SD-87713-001

SHEET NO.  
 4 OF 4

THIS DRAWING CONTAINS INFORMATION THAT IS PROPRIETARY TO MOLEX INCORPORATED AND SHOULD NOT BE USED WITHOUT WRITTEN PERMISSION

9 8 7 6 5 4 3 2 1